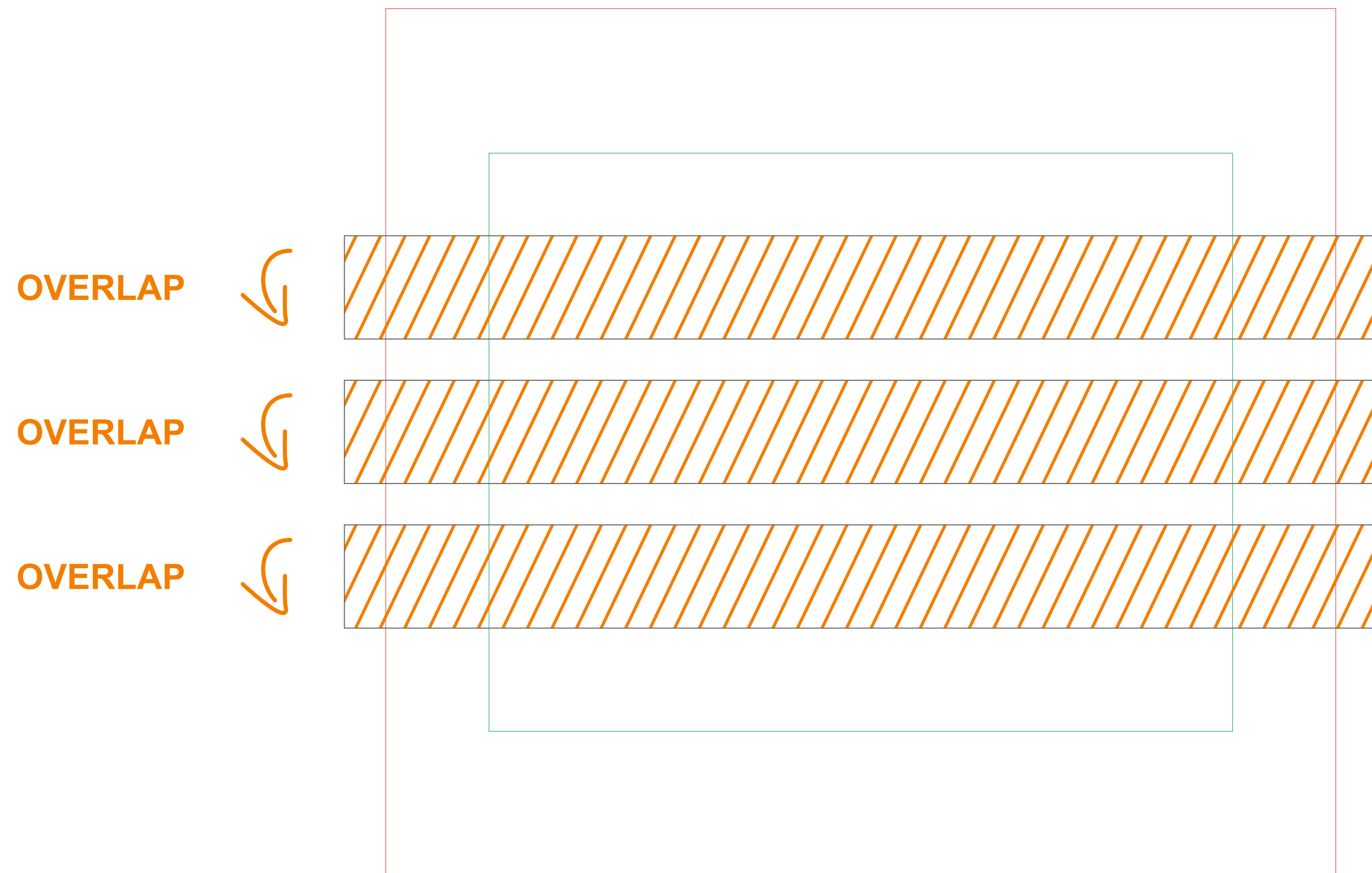


# PROTECTION MASK

**!** Please note that the price includes a visual with 2 adjustments and extra 10€ will be added each time for any further changes. **!**

## GRAPHICS:



**SAFE AREA** ————— **18 x 14 cm**

**BLEED** ————— **23 x 21 cm**

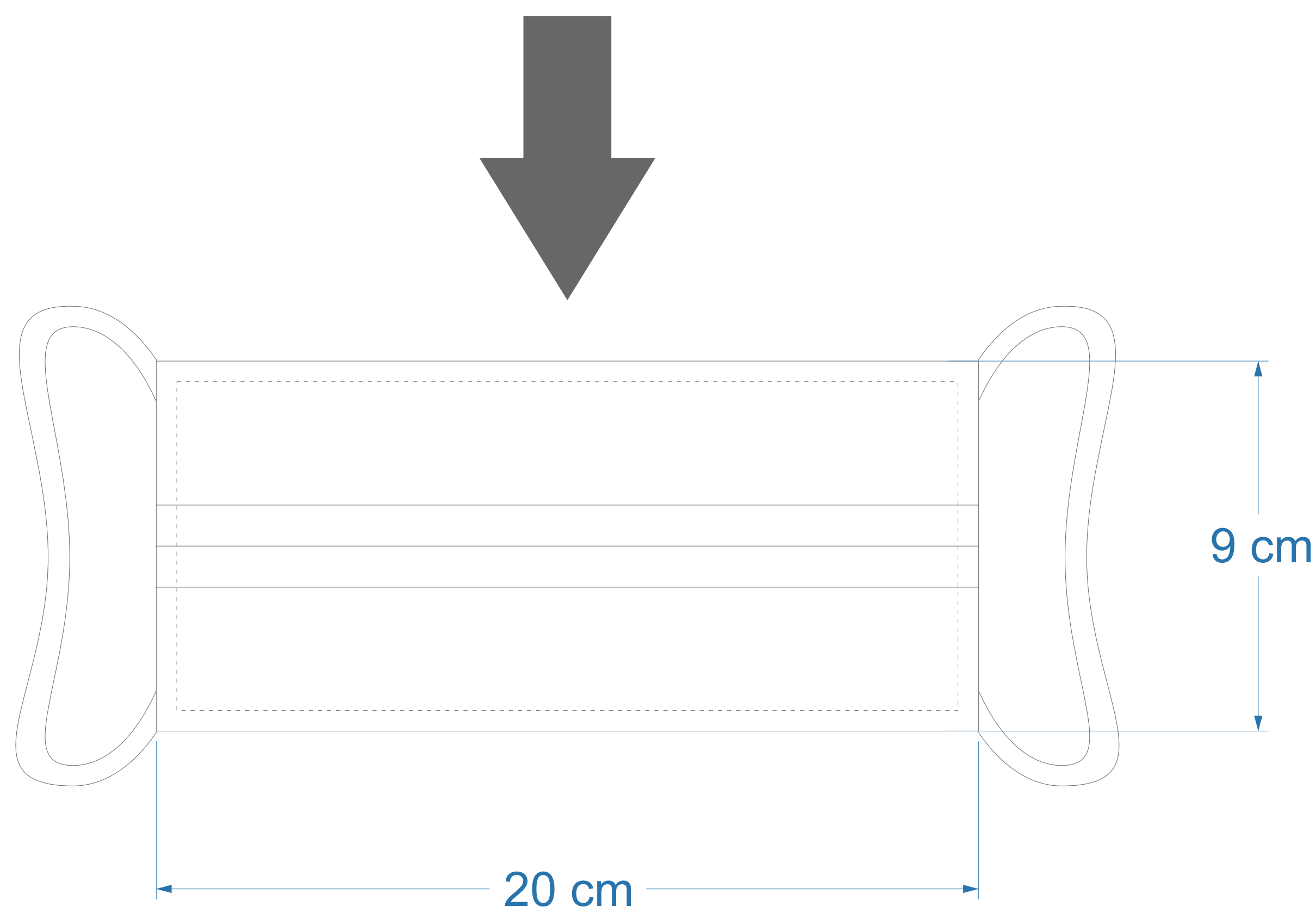
**INVISIBLE AREA** 

**Print visualization on a scale of 1:1 to check the readability!**

To ensure the highest quality of service, please read carefully the following technical informations.

- 1) Tolerance of placing graphics on the material is + / - 5mm.
- 2) Despite many efforts, colours on fabrics will be always only similar to the colour of PANTONE or CMYK patterns.
- 3) If it's important to fit PANTONE or CMYK we advise to order colour sample (we make 5 samples of lanyards and deliver it to you by courier for acceptance)
- 4) Any complaint about the colour of lanyard will be taken under consideration only if sample colour mask was ordered.
- 5) Minimum, readable size of fonts is 6 pt.
- 6) In the sublimation process, the mask can be smaller about 2%

Placing the order or accepting this project means that you are familiar with presented technical information and you agree with them.



CMYK

Possible imprint shift:  **±5 mm**